



## Hihi 4 Ezi-Up Tent

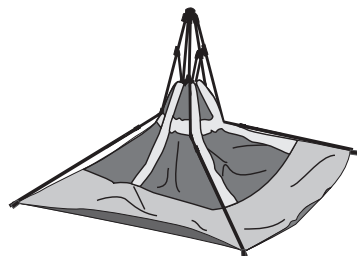
Model No. KC072-746

### PITCHING INSTRUCTIONS

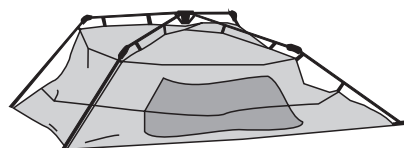
#### Your tent includes:

- 19 x steel pegs (4.7mm x 200mm L)
- 10 x ropes
- 1 x fly
- 1 x fibreglass/steel frame attached to inner tent
- 2 x steel PORCH poles (16/19mm)

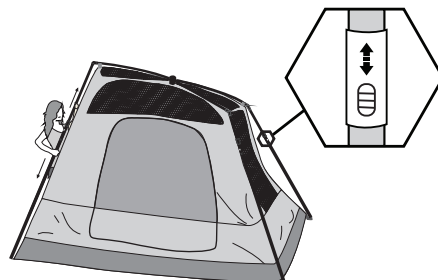
1. Select a dry, level site and clear the ground of any sharp objects. Remove the tent from its carry bag and lay the tent flat with the central hub upright.



2. Extend all four poles out far enough so the inner tent stands by itself.



3. Extend the side poles until they lock into place. Complete this on all side poles.



4. Peg out the pegging points on the erected tent inner.

5. Carefully pull the fly over the inner, reach under the fly and attach the hook and loop tabs to the poles centralising the fly. This also helps the tent's performance in the wind.



6. Clip the fly to the inner with the side release buckles located at each tent corner.

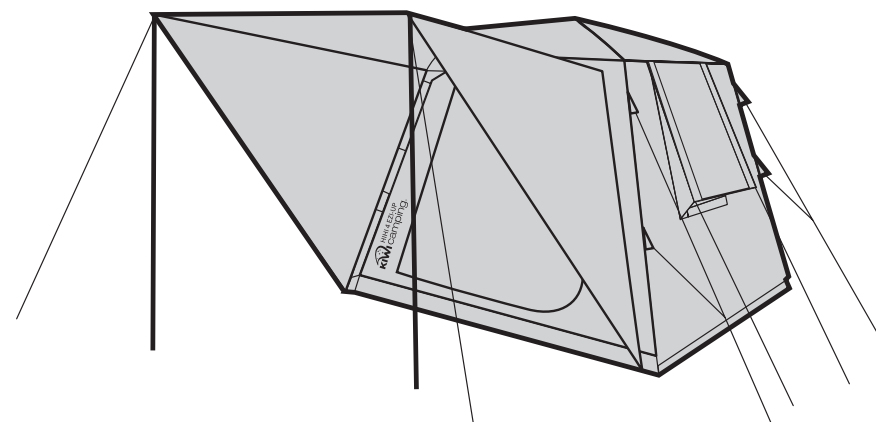
7. Proceed to peg out the remaining pegging points on the fly, ensuring there is an adequate gap between the inner and the fly.

8. Rope out the guy ropes and fine-tune the fly so it remains taut and positioned correctly over the tent.

9. To pitch the porch, assemble the steel PORCH poles by connecting the three sections together.

10. Unzip the porch gussets. Place the two PORCH poles through the eyelets in the corners of the porch and peg out with the guy ropes. Peg the bottom of the porch gussets for extra shade or roll them away. Peg out the remaining guy ropes at a 45° angle.

*Note: If zipping up the tent porch overnight, ensure the gussets are unzipped to be able to unzip the fly from the inside.*



**REVERSE THE PROCEDURE TO LOWER THE TENT**

# TENT CARE INSTRUCTIONS

PLEASE READ ALL TENT CARE INFORMATION & INSTRUCTIONS INCLUDED WITH THIS TENT BEFORE USING IT FOR THE FIRST TIME.

1. Before you use your new tent, fully unpack and pitch it at home. It is important to familiarise yourself with the set-up procedure and the various features.
2. Select a site that is level, clear of any sharp objects, is dry, will drain well if it rains and is protected from wind and other elements.
3. Keep clear of overhead power lines and trees when setting up your tent.
4. For best and easiest results, enlist the help of at least one other person to assist in pitching the tent.
5. Keep all flame and heat sources away from this tent fabric. Do not use open flame or gas appliances in or near your tent.
6. Do not use aerosol sprays or any solvent-based products in or around your tent as these could damage the fabric or special coatings. These products include but are not limited to: repellent spray, hair sprays, alcohol, detergents, fly spray, petrol, kerosene etc.
7. Please note, the warranty on this tent will be deemed void if the product is used for any purpose other than a **temporary, recreational** use tent.
8. Especially in windy conditions, it is essential that you attach guy ropes and fasten them to the ground. We suggest you insert the pegs into the ground at a 45° angle towards the tent, not straight down. Please note, your tent will not be covered under warranty if wind damage occurs.
9. Ezi-Up elbows bend inwards, so it is important to guy rope all points properly. Use all of the guy ropes and pegs included to ensure your tent is secure and to prevent damage to both yourself and the tent. Check guy ropes/pegs daily.
10. Ensure there is an adequate gap between the fly and inner tent to enable ventilation and to prevent condensation build-up.
11. When closing the doors, hold the flaps up to take pressure off the zips. Ensure that the tent fabric is never overstretched, especially as this may cause problems with the internal doors.
12. To clean your tent, only ever use a soft sponge and warm water. DO NOT use excess force or other harsh cleaners to remove marks from tent.
13. Ensure the tent is completely dry and clean before storing away and ensure to store it in a dry environment.

## IMPORTANT:

1. Under certain conditions (cold weather, high humidity etc.) condensation may form on the inside of your tent fly. Condensation can occur for many reasons including vapour from your breath, perspiration, cooking nearby or wet clothing inside your tent. This does NOT mean your tent is leaking through the fabric. You can minimise condensation by opening windows and airing out your tent during the day and by removing any wet clothing/towels etc.
2. Try to avoid pitching your tent under trees as tree limbs, falling leaves, sap, bird droppings or excess water dripping from the trees can cause damage to the tent fabric and its special coatings resulting in leakage or discolouration.
3. Only remove the tent pegs by pulling on the peg itself. NEVER pull on the tent or the webbing loops to remove pegs as it could result in damage to the tent or personal injury.
4. DO NOT leave tent pitched for weeks at a time as extended exposure to the sun's ultraviolet rays can damage and/or cause it to discolour. Your tent will not be covered under warranty if you leave it up for many weeks at a time.
5. STORAGE:  
NEVER store your tent wet or dirty (even for short periods of time).  
NEVER store your pegs or poles inside your tent. Always use the separate bags they are supplied in.
6. You may want to insure your tent against loss or damage.

## WARRANTY INFORMATION

The warranty period for this tent is found on the packaging and full details are on the Kiwi Camping website - [www.kiwicamping.co.nz](http://www.kiwicamping.co.nz).

## KEY POINTS:

The original purchaser of this product is offered a warranty if during this time period the product fails due to a fault in either materials or workmanship. Service under this warranty is available by returning the product, with your proof of purchase, to where it was purchased. If after inspection it is determined that the product is defective, we will repair or replace it (at our discretion) free of charge. This warranty does not cover misuse, damage caused by accident, storm or wind damage, mildew, neglect, UV degradation and fair wear and tear. Please note, the warranty on this tent will be deemed void if the product is used for any purpose other than a temporary shelter. If the claim is not deemed a warranty or is outside it's warranty period, we can repair the product at a nominal cost.



Distributed by: Aber Living, Hamilton, NZ  
[www.kiwicamping.co.nz](http://www.kiwicamping.co.nz)

5384-04/22